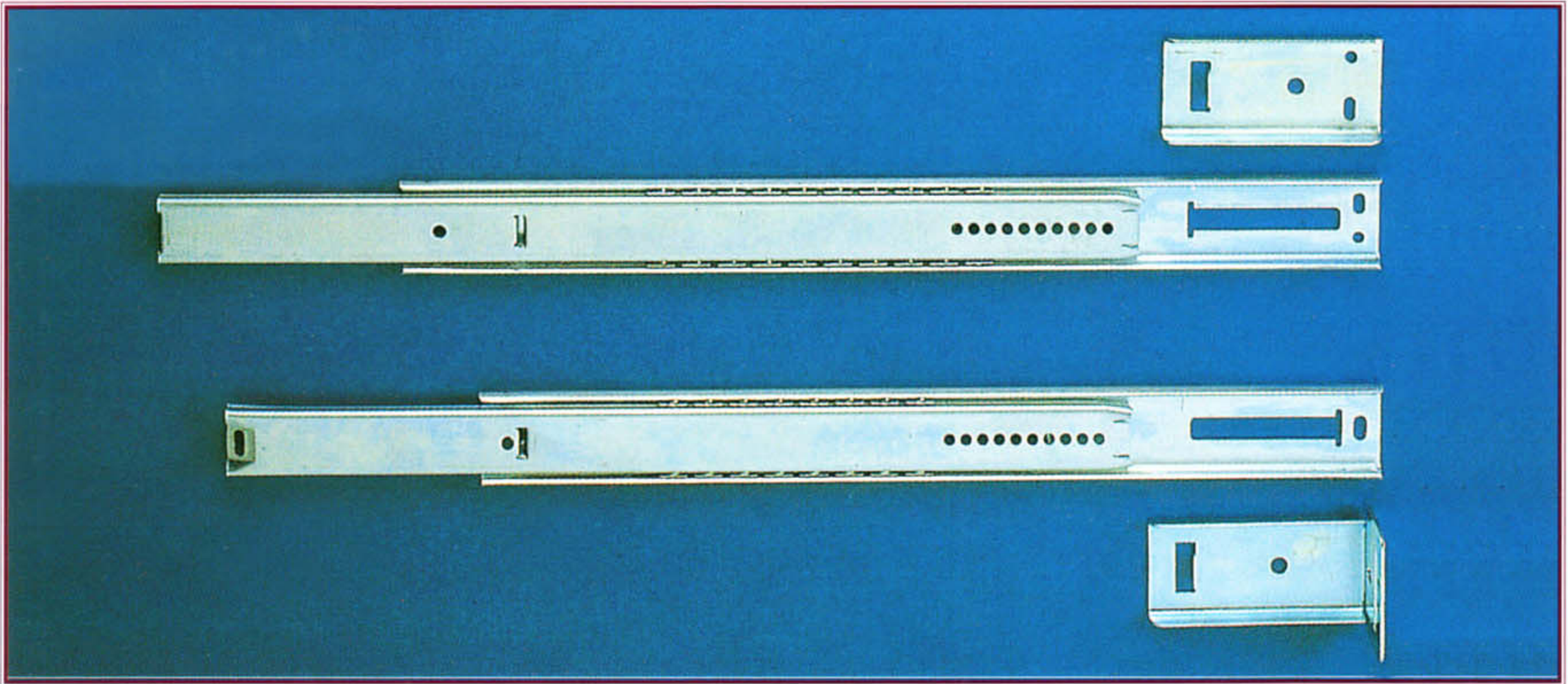


CENTER MOUNT SLIDES



Application: Bedroom, kitchen & dining casegoods which concealed under the drawers.

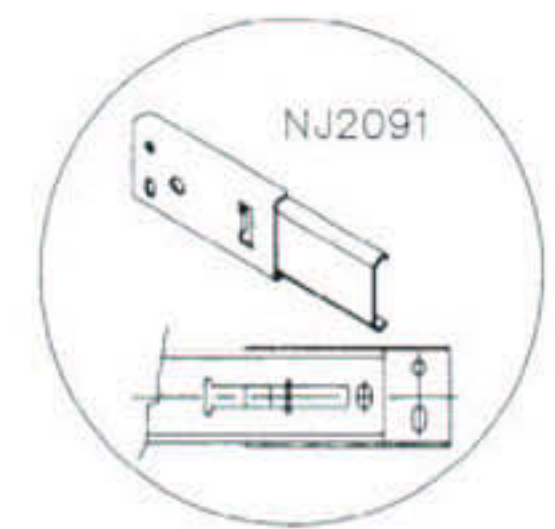
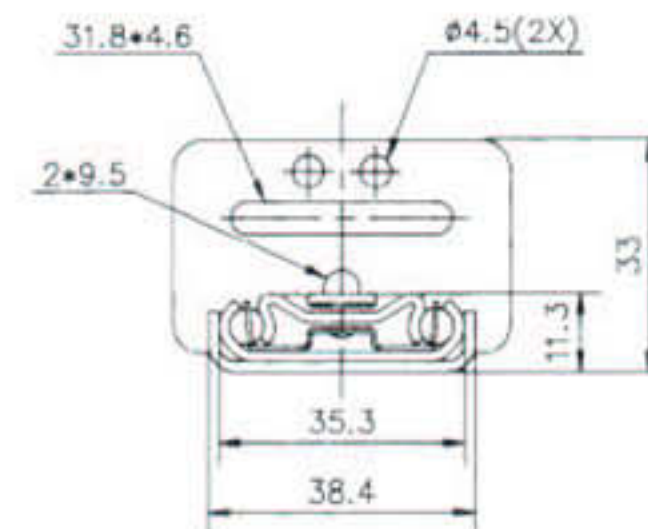
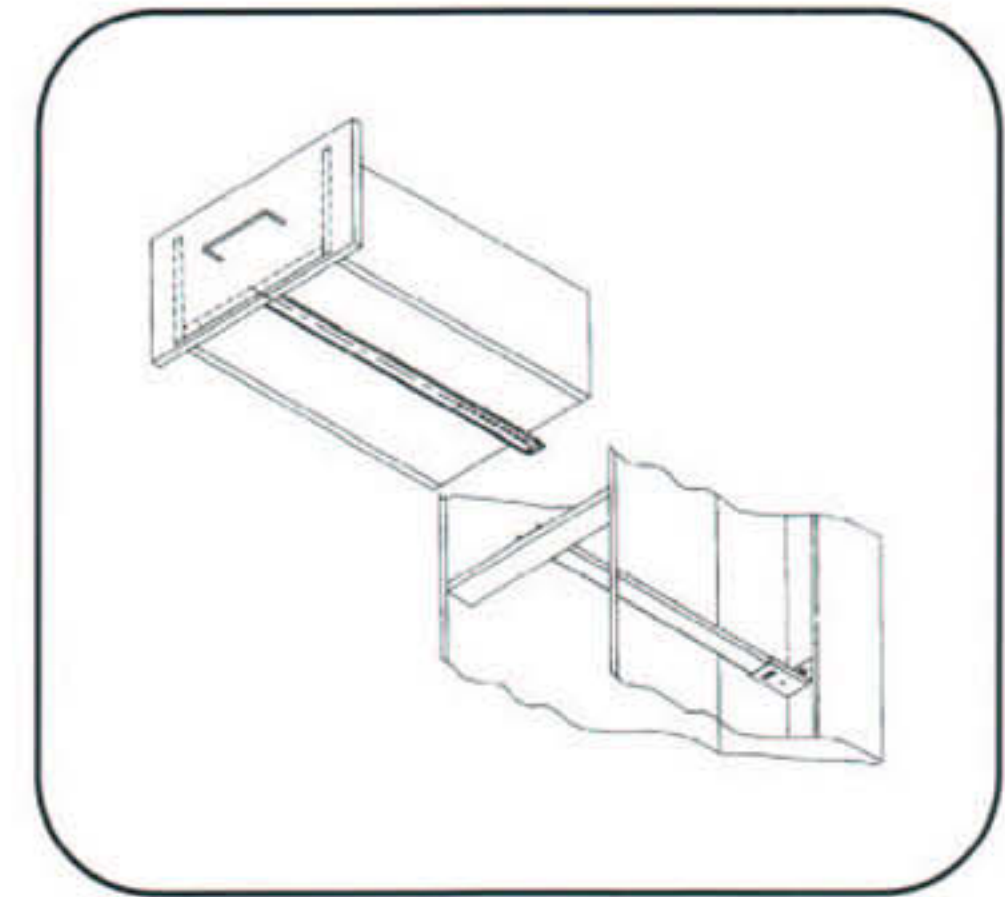
Features:

- Minimum side space needed.
- 2 PVC tacks enclosed for balance security.
- Rear mounting bracket for length adjusting. (Flat rear mounting bracket for 3B-2091)
- Travel: 3/4 extension.

Material & finish: Cold rolled steel with clear zinc plated.

Length: 12" to 24" available.

Gross load rating: 30 lbs/each.



ITEM NO.	LENGTH	PACKING
3B-2090-121	12"	50 PCS/CTN
3B-2090-141	14"	50 PCS/CTN
3B-2090-161	16"	50 PCS/CTN
3B-2090-181	18"	50 PCS/CTN
3B-2090-201	20"	50 PCS/CTN
3B-2090-221	22"	50 PCS/CTN
3B-2090-241	24"	50 PCS/CTN