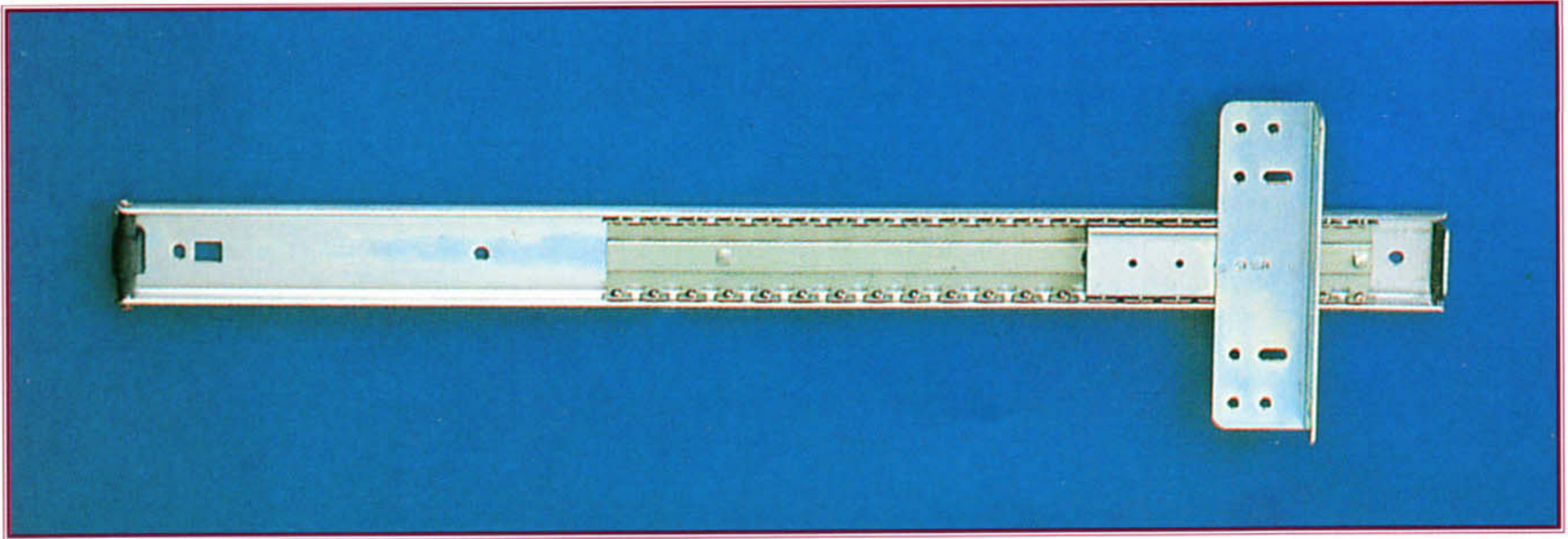


POCKET DOOR SLIDES



Application: Entertainment and kitchen cabinets, concealed doors, storage cabinets.

Features:

- Tight door gap.
- Vertical/horizontal mounting.
- European hinges acceptable.

Door thickness: 3/4 extension.

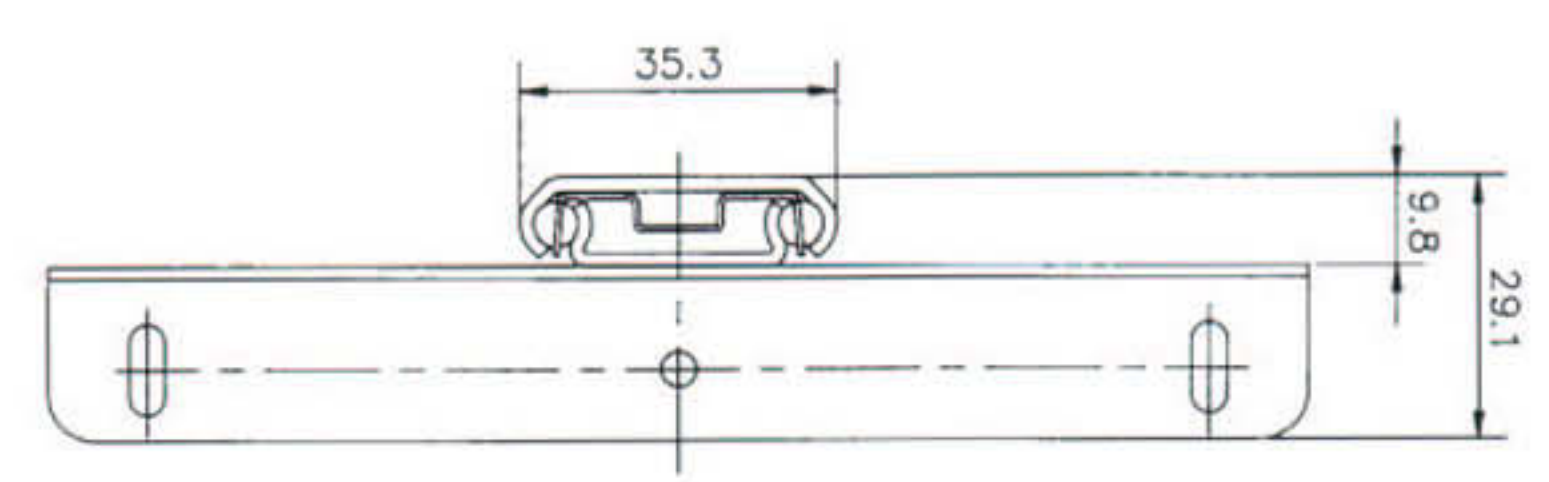
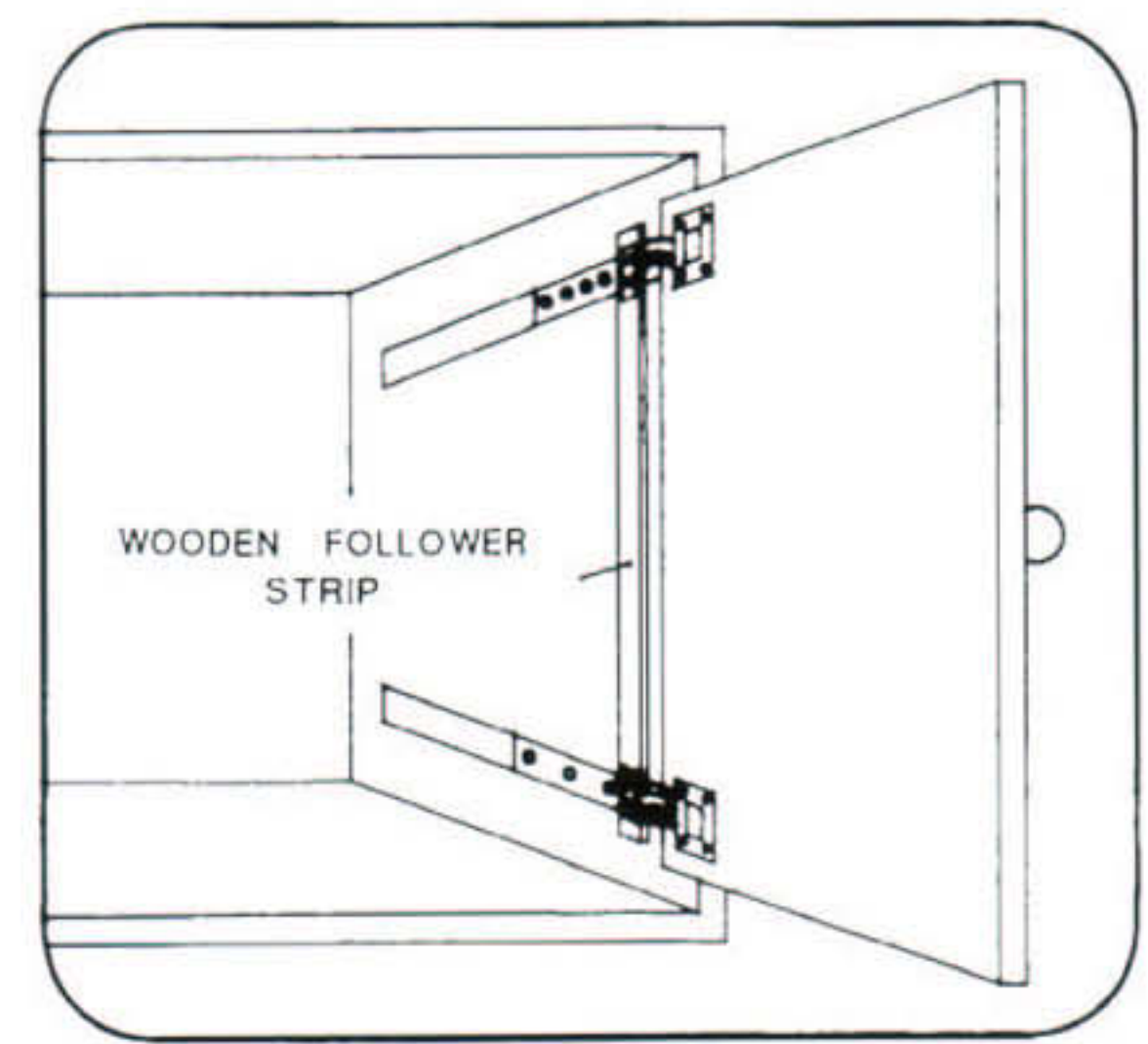
Material & finish: Cold rolled steel with clear zinc plated.

Length: 12" to 24" available.

Gross load rating: 30 lbs/pair.

Recommendation:

- 36" maximum door height.
- Roller for vertical mounting.



ITEM NO.	LENGTH	PACKING
3B-208C-122	12"	20 PRS/CTN
3B-208C-142	14"	20 PRS/CTN
3B-208C-162	16"	20 PRS/CTN
3B-208C-182	18"	20 PRS/CTN
3B-208C-202	20"	20 PRS/CTN
3B-208C-222	22"	20 PRS/CTN
3B-208C-242	24"	20 PRS/CTN